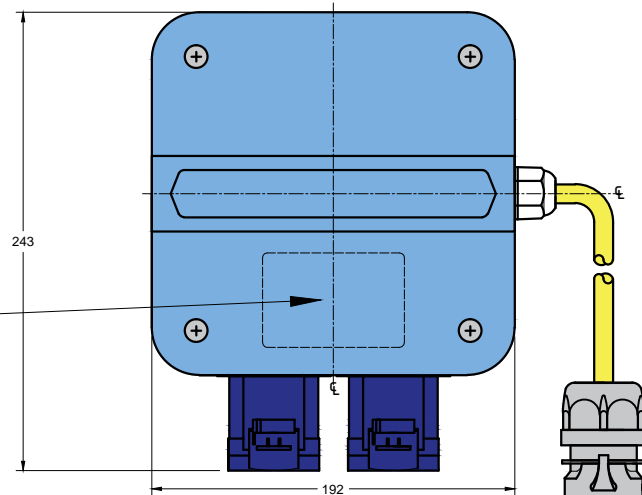
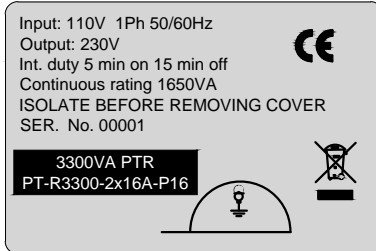


# MODEL: PT-R3300-2x16A-P16

WEIGHT 15.5kg

## POLYESTER LABEL



### Enclosure:

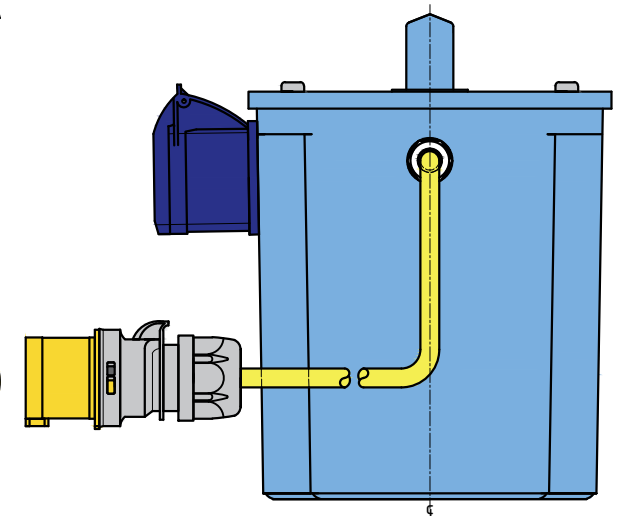
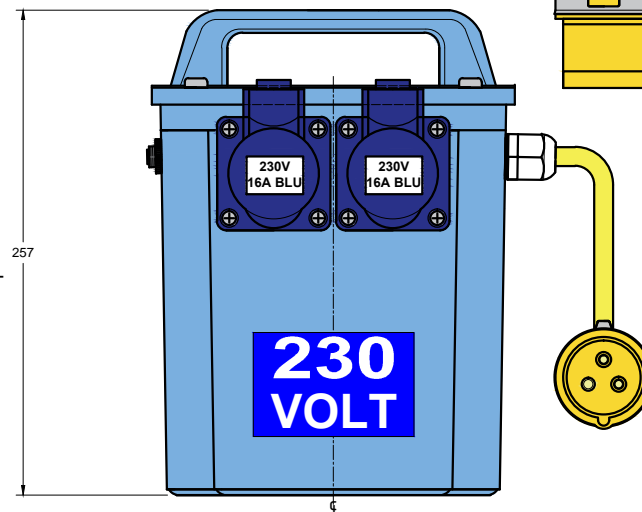
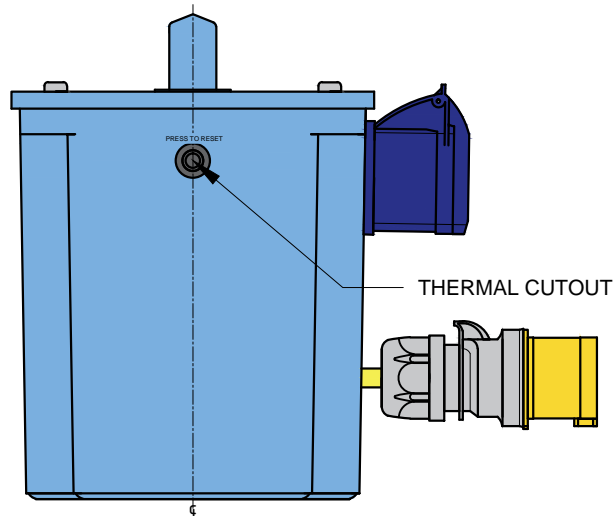
MOULDED TWO PART GRP CASE IN BLUE TO IP44.

### Cable:

2.0 MTRS 2.5sqmm MAINS CABLE 3 CORE YEL PVC WITH 16A PLUG

### Sockets:

2 x 230 VOLT 16 AMP 2P+E IP44 RATED TO IEC 60309



THIRD ANGLE PROJECTION

REV	DATE	CHANGES	MATERIAL	 PSM PLANT & TOOL HIRE CENTRES LTD <small>Head Office: 253/255 Blackfen Road, Blackfen, Kent DA15 8PR                  T: 020 8850 5659 F: 020 8859 4377 E: info@psmhire.co.uk W: www.psmhire.co.uk</small>	TITLE	A4 SHEET
		C.N	GRP		PT-R3300-2 PORTABLE 2 x 16A SKTS + 16A PLUG KVA: 3.3 PTR. 1.65 CONT.	
		C.N	FINISH BLUE		ENG. JK	SCALE 1:4
		C.N			CHK. AJW	
		C.N				
0	02-09-16	INITAL RELEASE				

UNLESS OTHERWISE SPECIFIED ALL DIMENSIONS ARE GIVEN IN MILLIMETERS  
 -TOLERANCE-  
 X = +/- 0.5mm  
 XX = +/- 0.3mm  
 XXX = +/- 0.1mm